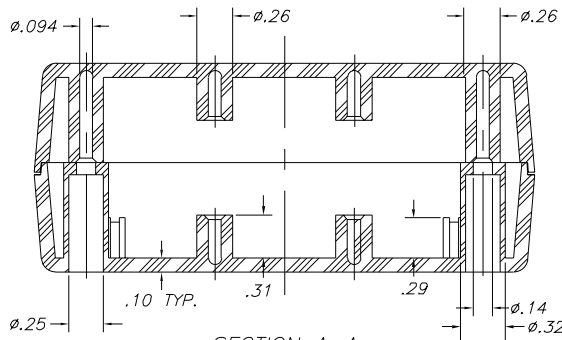
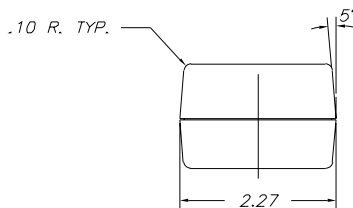
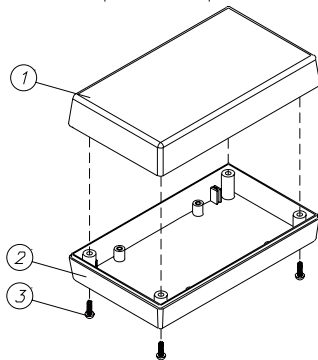
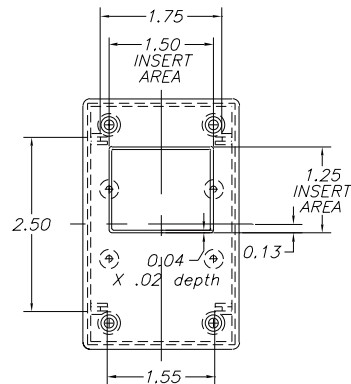
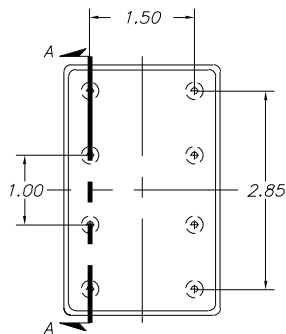
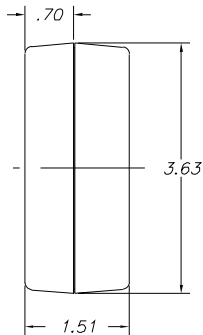


SERPAC 111

Electronics Enclosures

NOTES:

1. WHEN MACHINE OR I PLATES MODIFICATIONS ARE REQUIRED, USE THE CENTER OF THE BOX TO DIMENSION.



SECTION A-A

619 Commercial Ave. Covina, CA 91723

(626) 331-0517 Fax (626) 331-8584 <http://www.serpac.com>

8-17-98.

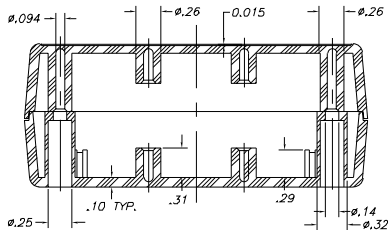
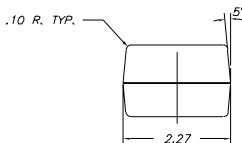
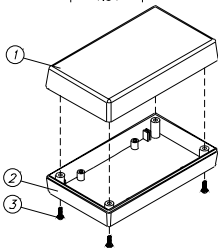
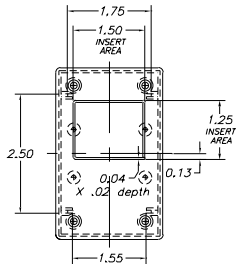
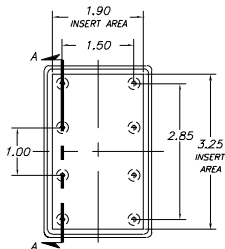
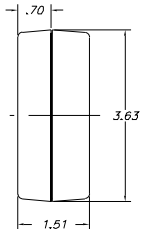
ALL DIMENSIONS ± .010

ITEM	PART NO.	DESCRIPTION	ACCESSORIES	
			PART NO.	DESCRIPTION
1	1-1	PLASTIC TOP		
2	11	PLASTIC BOTTOM		
3	6005	SCREWS (4)	50	FEET
			310	PROTOTYPE GRID BOARD (HORIZ.)
			410	PROTOTYPE CLAD BOARD (HORIZ.)
			311	PROTOTYPE GRID BOARD (VERT.)
			411	PROTOTYPE CLAD BOARD (VERT.)
			PS-11	PERIMETER SEAL
			PC	POCKET CLIP

SERPAC 111-1

Electronics Enclosures

NOTES:
1. WHEN MACHINE OR I PLATES MODIFICATIONS ARE REQUIRED, USE THE CENTER OF THE ENCLOSURE TO DIMENSION.



3-03-00.

ALL DIMENSIONS ± .010

ITEM	PART NO.	DESCRIPTION	ACCESSORIES	
1	1-1-1	PLASTIC TOP	PART NO.	DESCRIPTION
2	11	PLASTIC BOTTOM	50	FEET
3	6006	SCREWS (4)	310	PROTOTYPE GRID BOARD (HORIZ.)
			410	PROTOTYPE CLAD BOARD (HORIZ.)
			311	PROTOTYPE GRID BOARD (VERT.)
			411	PROTOTYPE CLAD BOARD (VERT.)
			PS-11	PERIMETER SEAL
			PC	POCKET CLIP

SECTION A-A